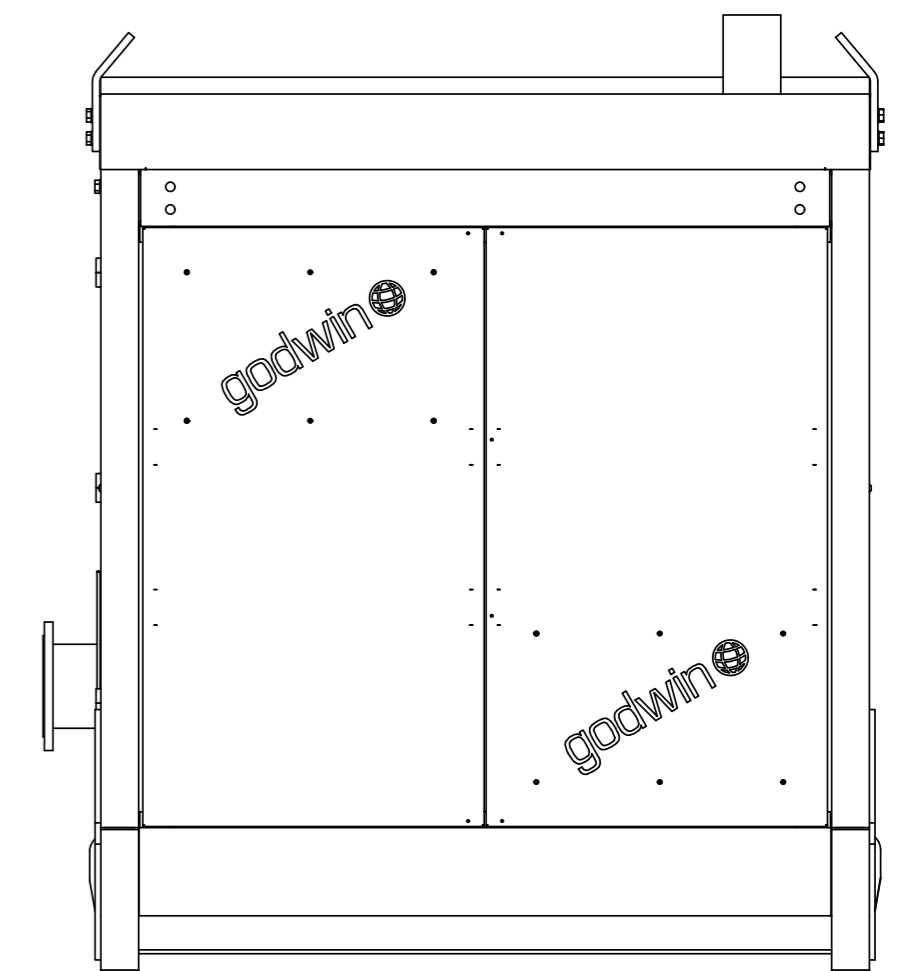
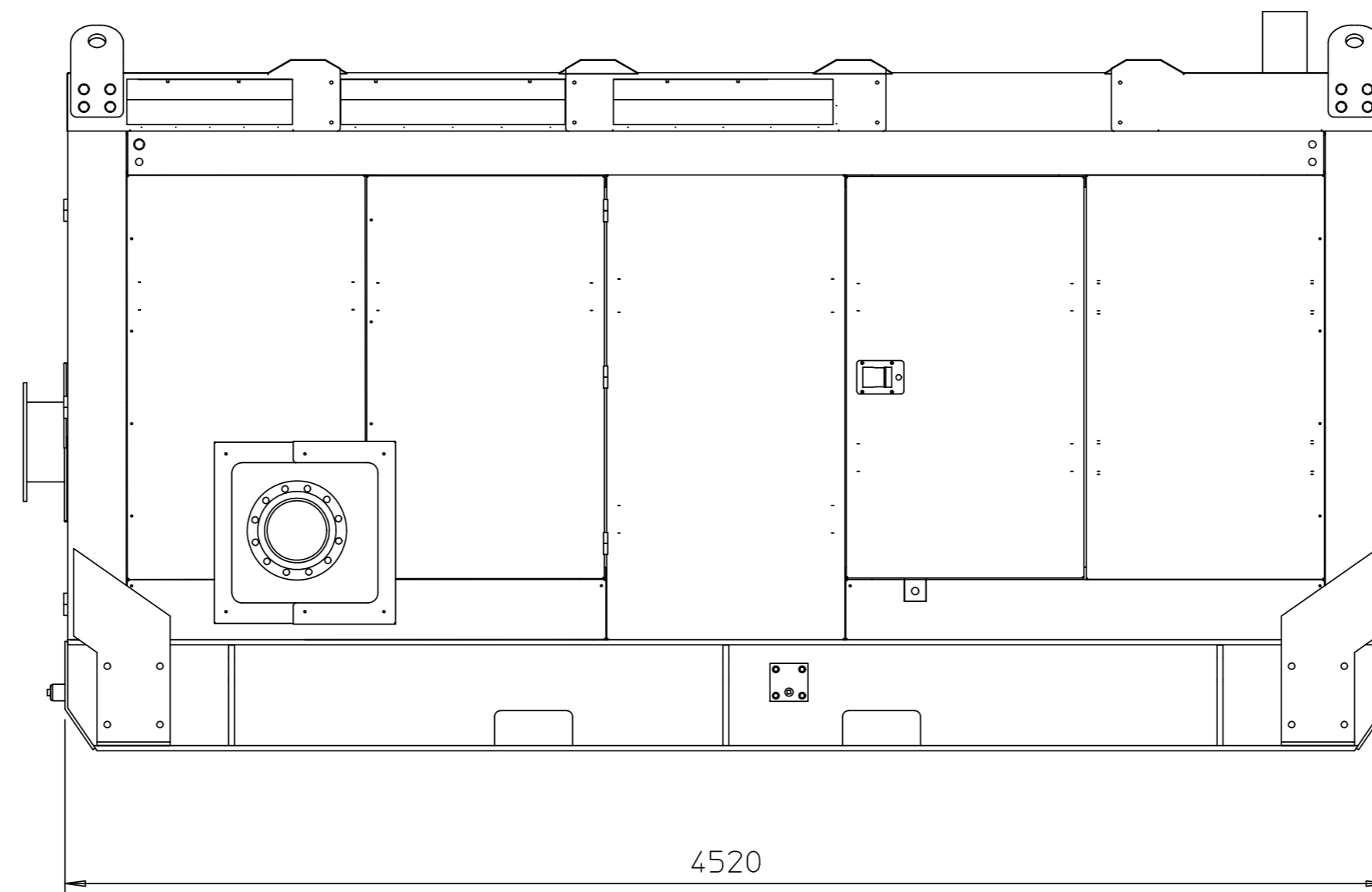
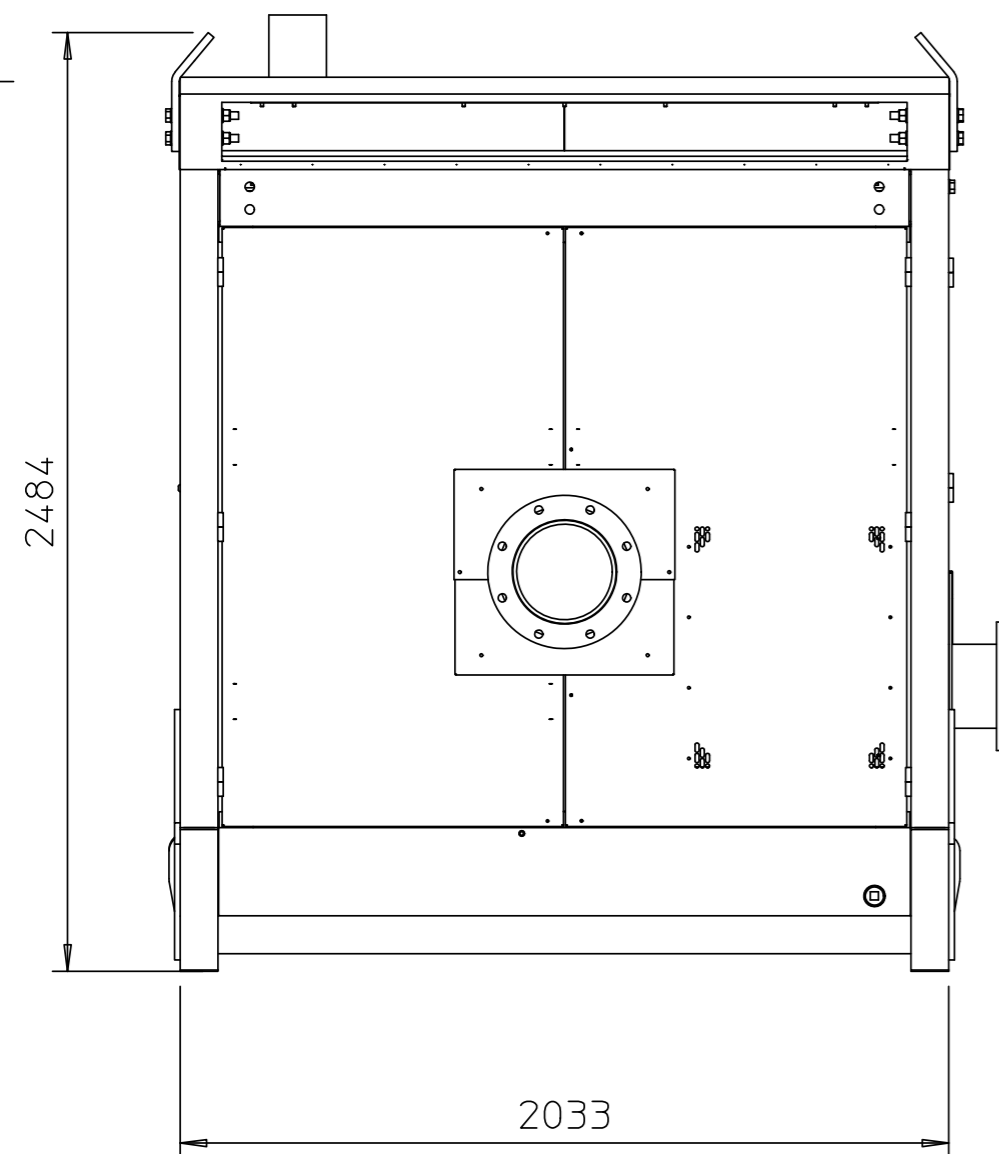
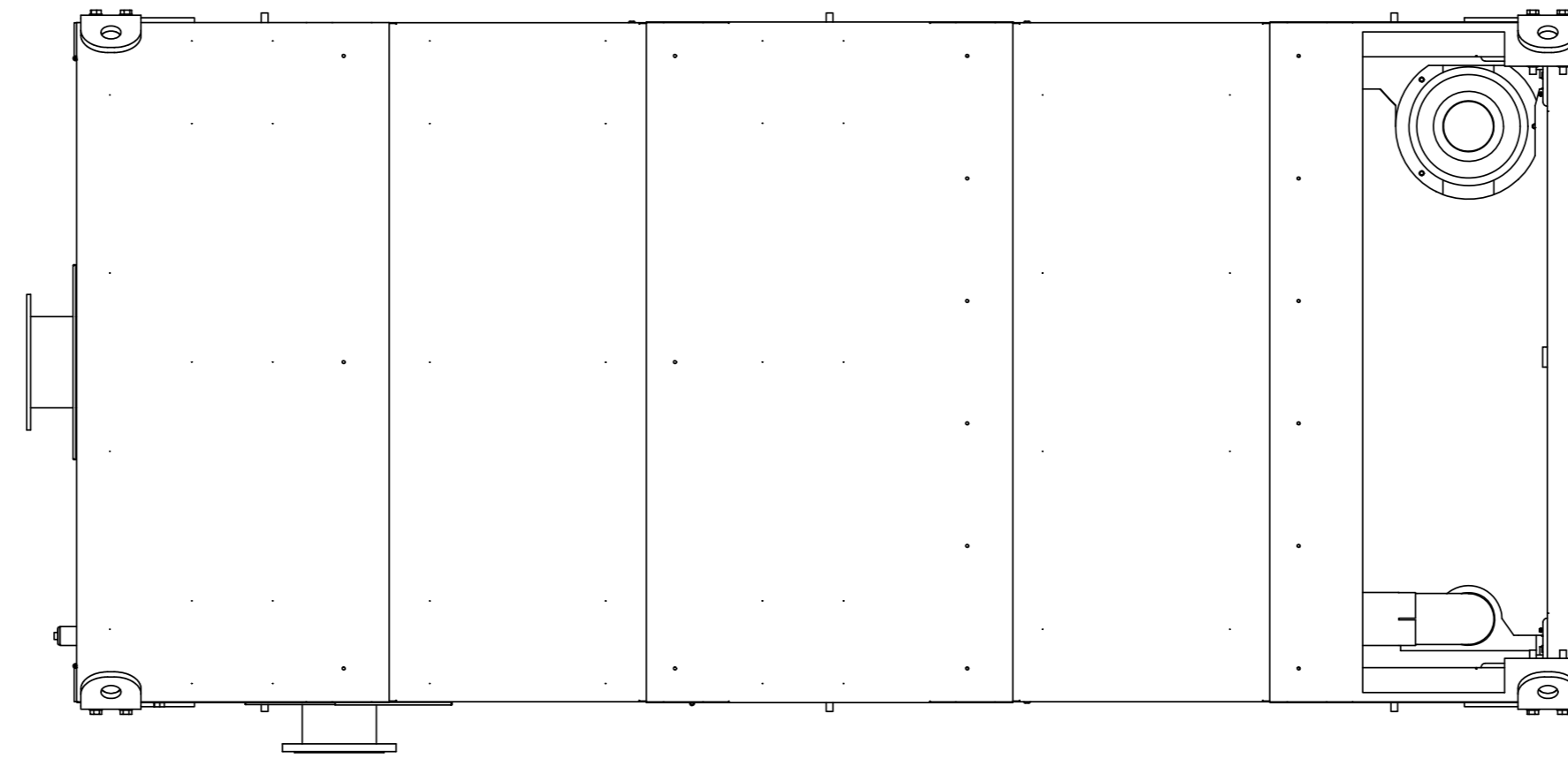



PUMP	ENGINE	GROSS WGHT Kg
HL200M	C9	5968
HL225M	C9	6275
CD300M	C9	TBA



1	COMPILED												Sht 1
Iss.	Description		ECO No	SO By	15/08/12	Date	DRG. No.	GA-10220					of 1
 a xylem brand		Xylem De-Watering Solutions Quenington, Cirencester, Gloucestershire GL7 5BX, England. Tel: ++ 44 (0)1285 750271 www.godwinpumps.co.uk		TOLERANCES ± 3mm (unless otherwise stated) We cannot guarantee dimensions of outside suppliers equipment		IF IN DOUBT - ASK DO NOT SCALE Graphics: BS8888:2002 Dimensions: mm Third Angle Projection		Drawn so Date 15/08/12 Ch'k'd so Date 15/08/12 Scale 1:20		TITLE OUTLINE DRAWING		SERIES 12 HUSHPAC WITH SKIDBASE	
											© 2012		
												A2	