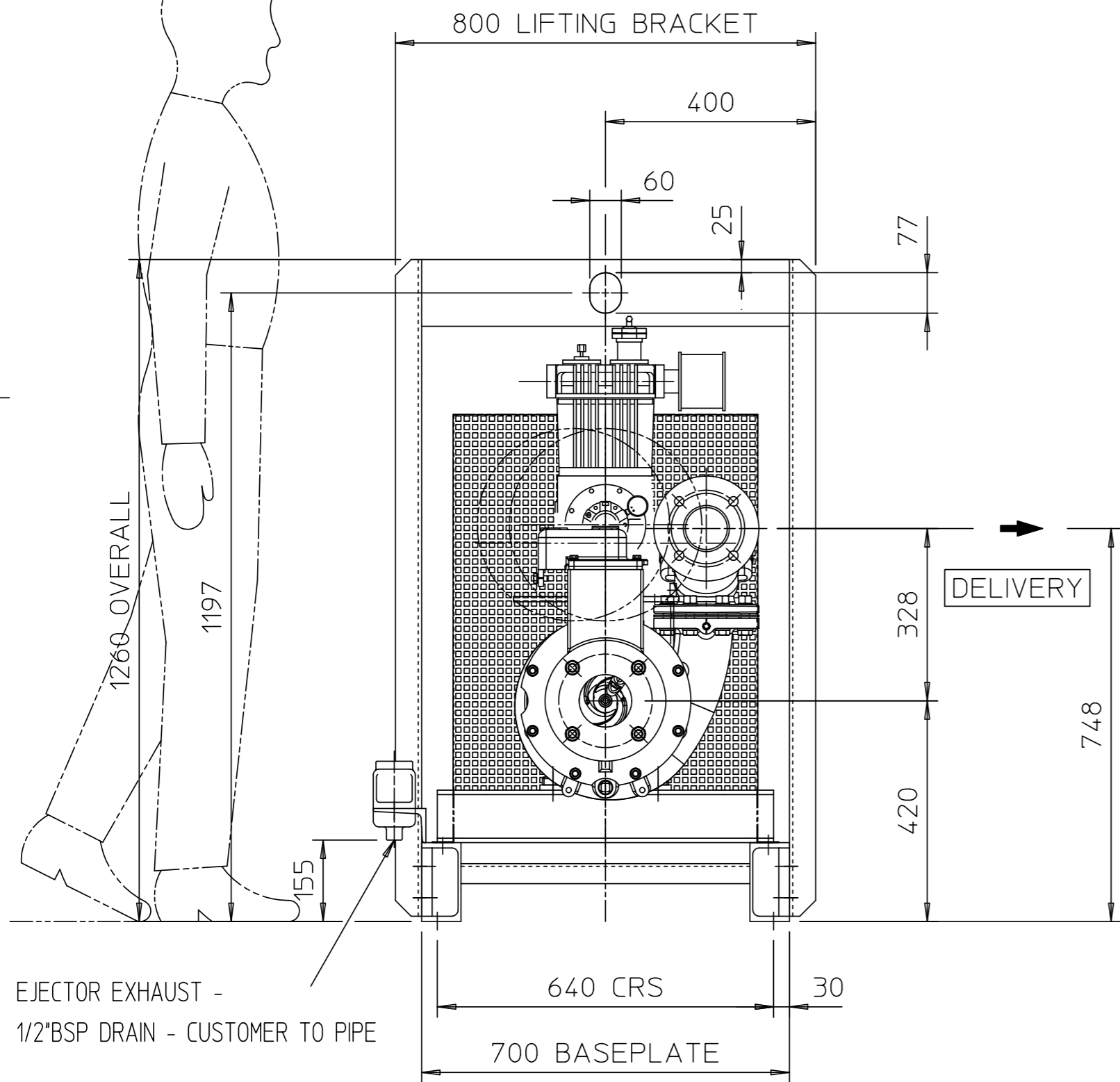
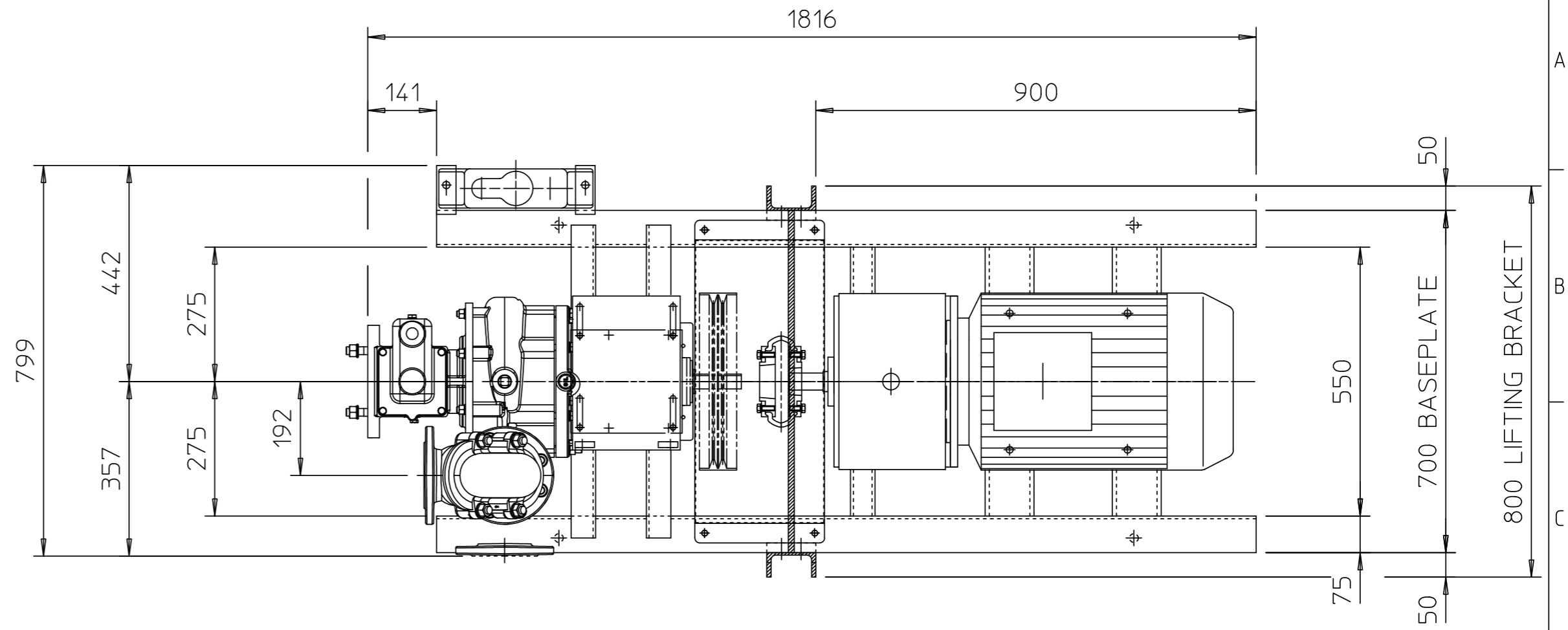
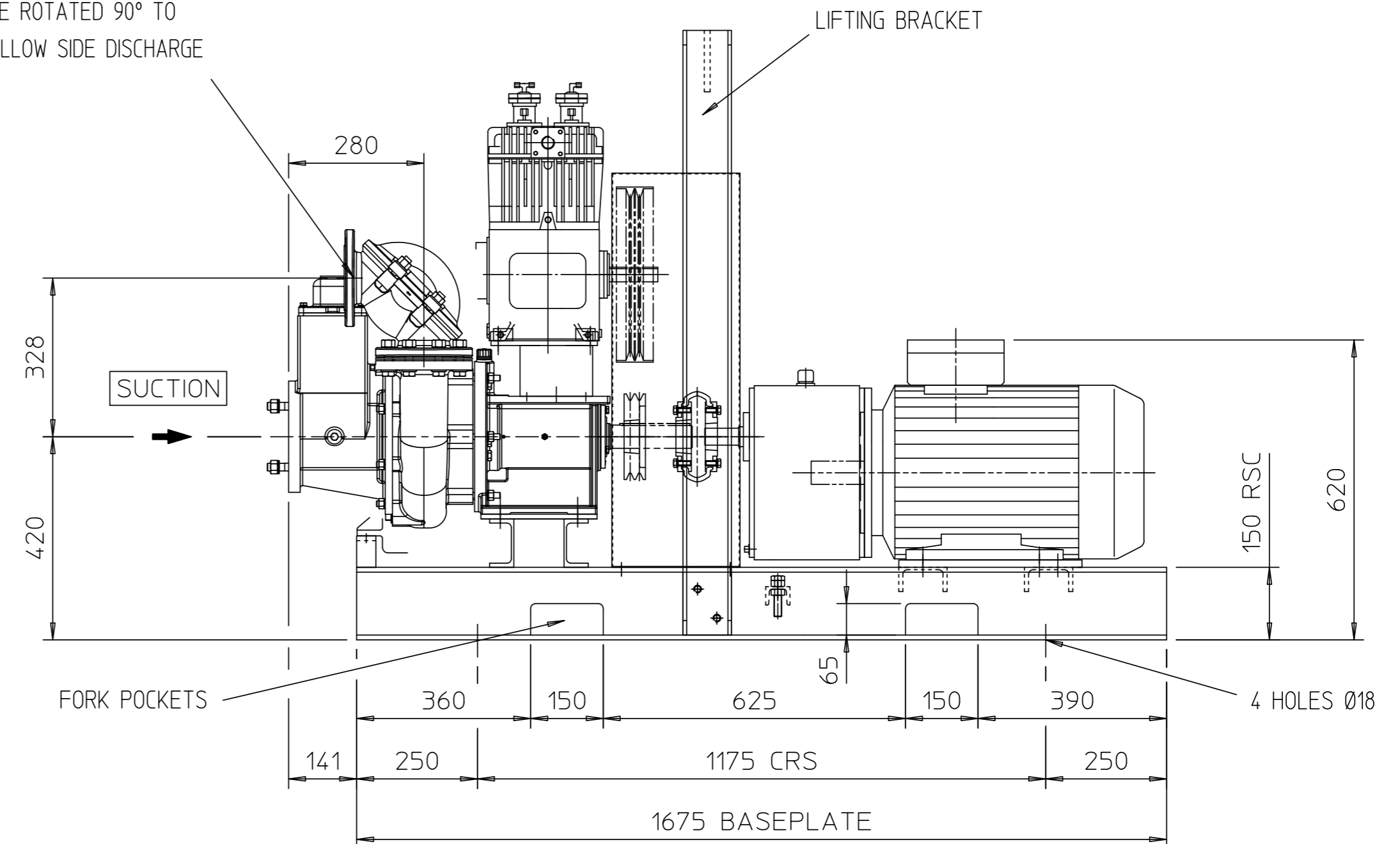


NOTES :-

- PUMP TYPE --- NC80 DRI-PRIME.
- SUCTION FLG : 4" BS10 TABLE D METRIC.
- DELIVERY FLG : 3" BS10 TABLE D.
- MOTOR KW --- 18.5KW.
- MOTOR FRAME --- DA180M.
- PROTECTION --- IP55.
- MOTOR RPM --- 1450.
- GEARBOX RPM --- 1800.
- COMPRESSOR RPM --- 760.
- COMPRESSOR MAX RPM --- 900.
- ACTUAL WEIGHT --- 655 KGS.



DELIVERY ELBOW CAN BE ROTATED 90° TO ALLOW SIDE DISCHARGE



EJECTOR EXHAUST -
1/2" BSP DRAIN - CUSTOMER TO PIPE

Suction flanged 4" BS10 TABLE 'D' Metric.
Delivery flanged 3" BS10 TABLE 'D'.
Flange fixing shown below.

	Size	P.C.D.	Hole Dia.	No. Holes
SUCTION	4"	178	M16	4
DELIVERY	3"	146	Ø17	4

2 CN003973 - NRV build changed.		ECO14-011	KP	10/03/14	DRG.	NC80-01-EGBO-008	Sht 1 of 1
Iss.	Description	ECO No	By	Date	No.		
godwin a xylem brand Xylem Dewatering Solutions Quenington, Cirencester, Gloucestershire GL7 5BX. England. Tel: ++ 44 (0)1285 750271 www.godwinpumps.co.uk		TOLERANCES ± 3mm (unless otherwise stated) We cannot guarantee dimensions of outside suppliers equipment © 2013		IF IN DOUBT - ASK DO NOT SCALE Graphics: BS8888:2002 Dimensions: mm Third Angle Projection		Drawn AJJ Date 01/11/13 Ch'k'd KP Date 10/03/14 Scale 1:10	
					TITLE NC80 18.5KW DRI-PRIME C.I.CONST. FLG 4" X 3" BS10 TD		A2