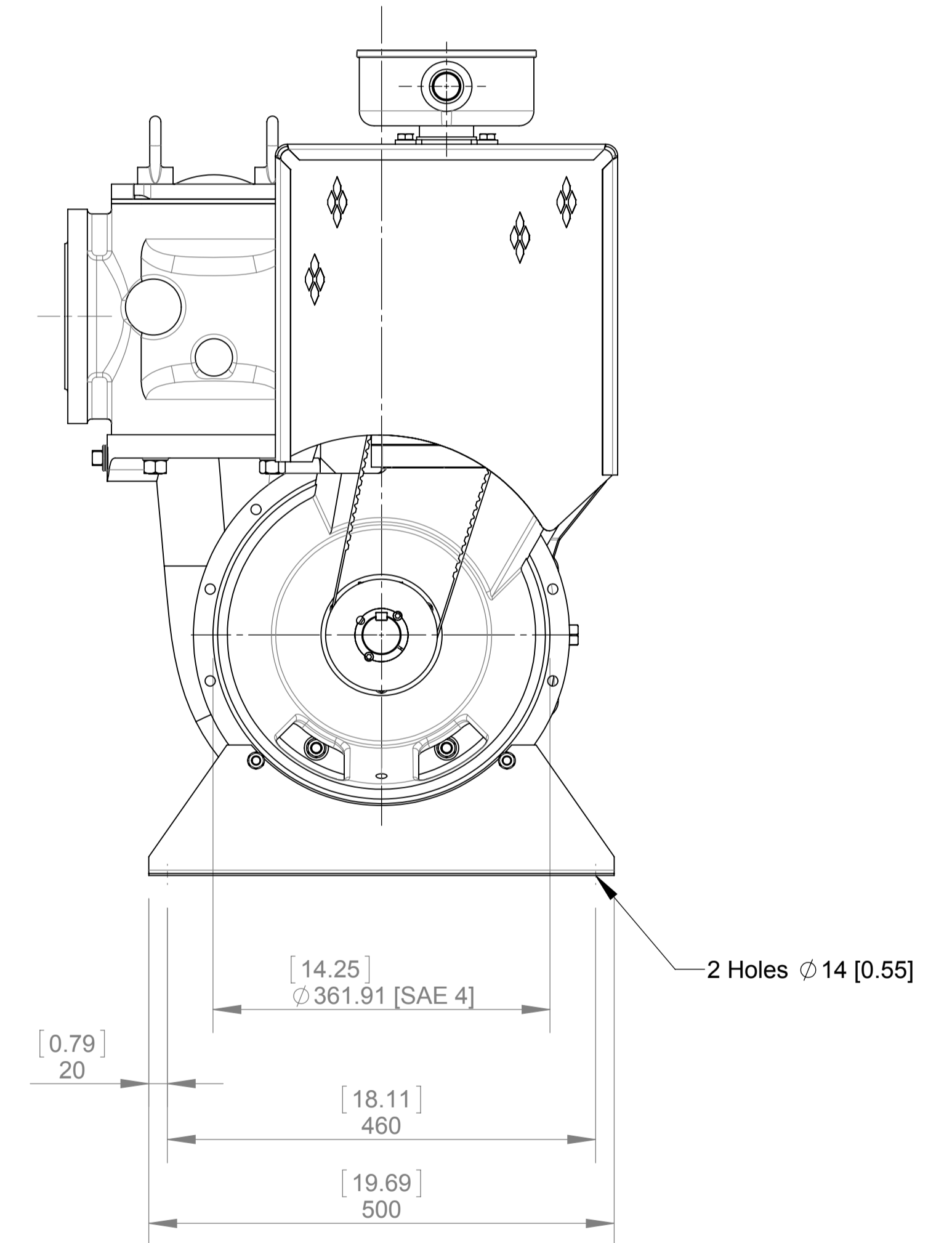
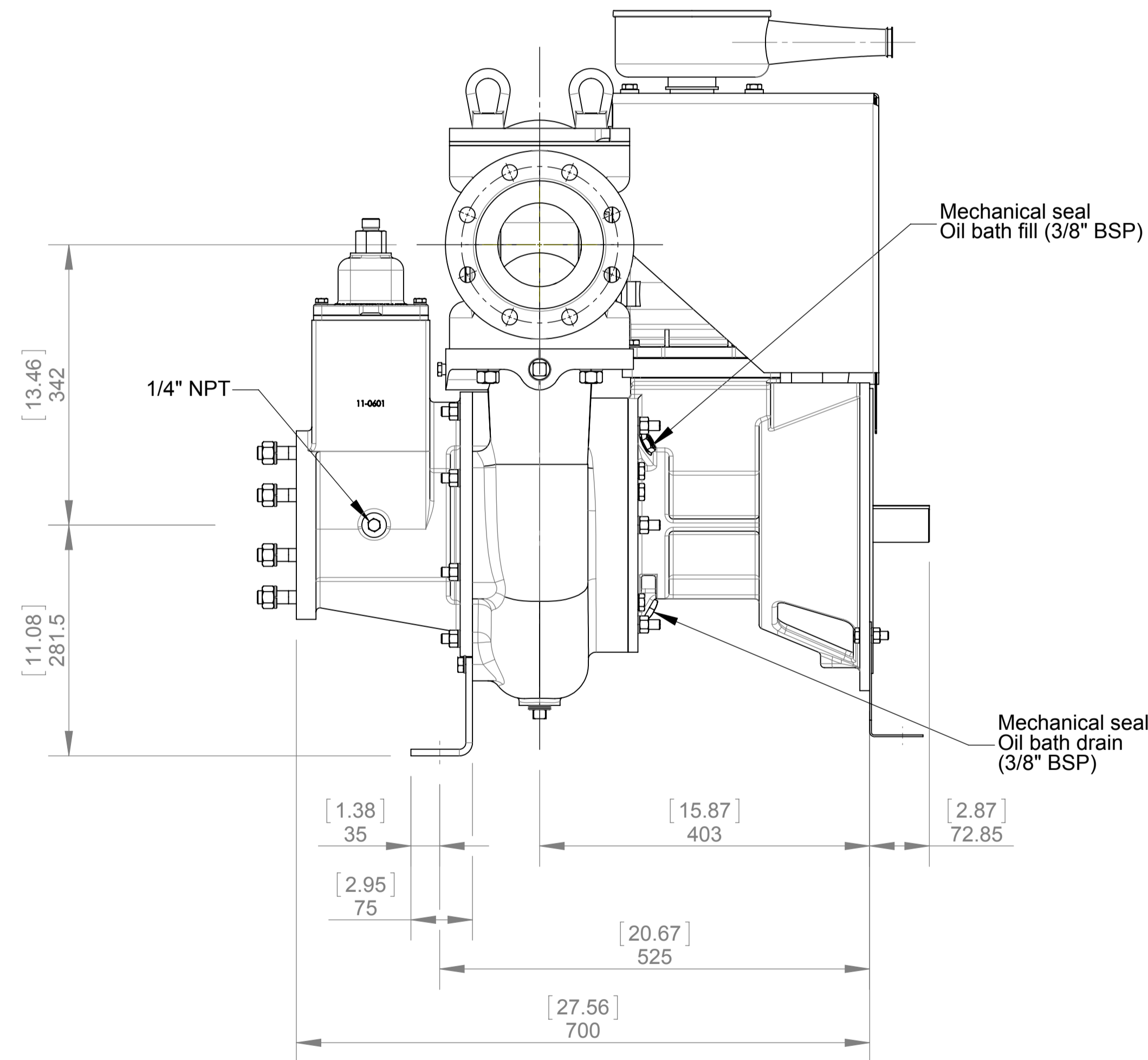
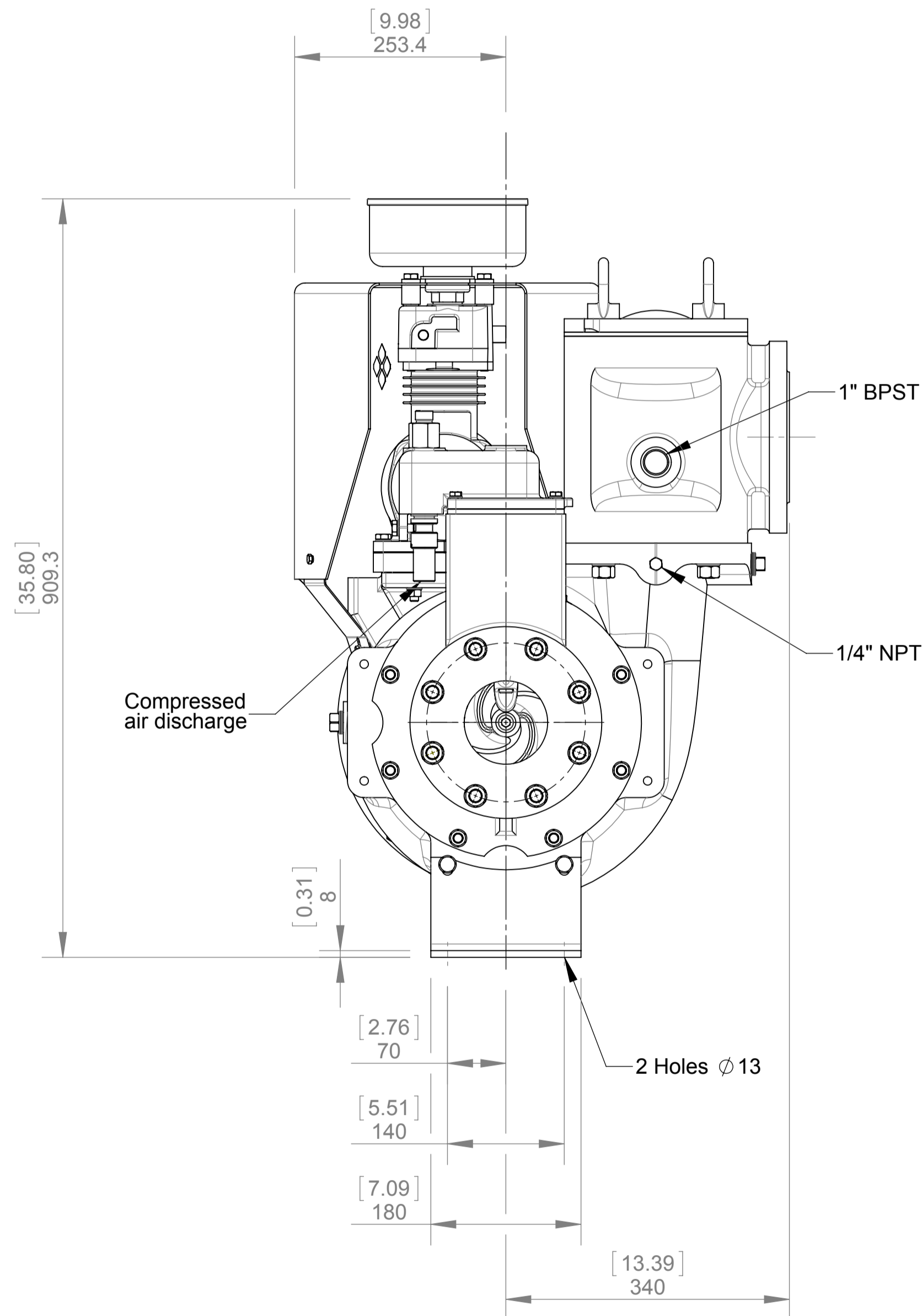
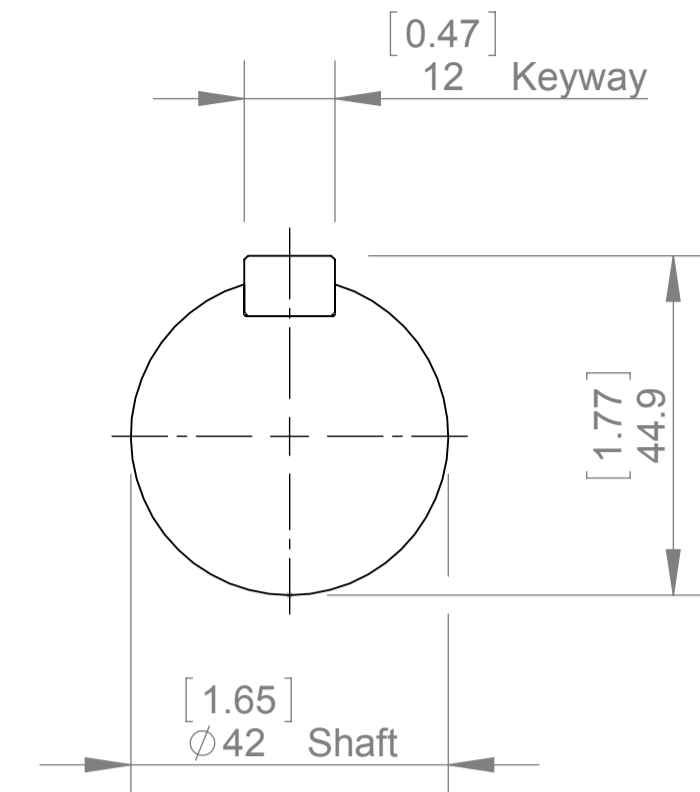
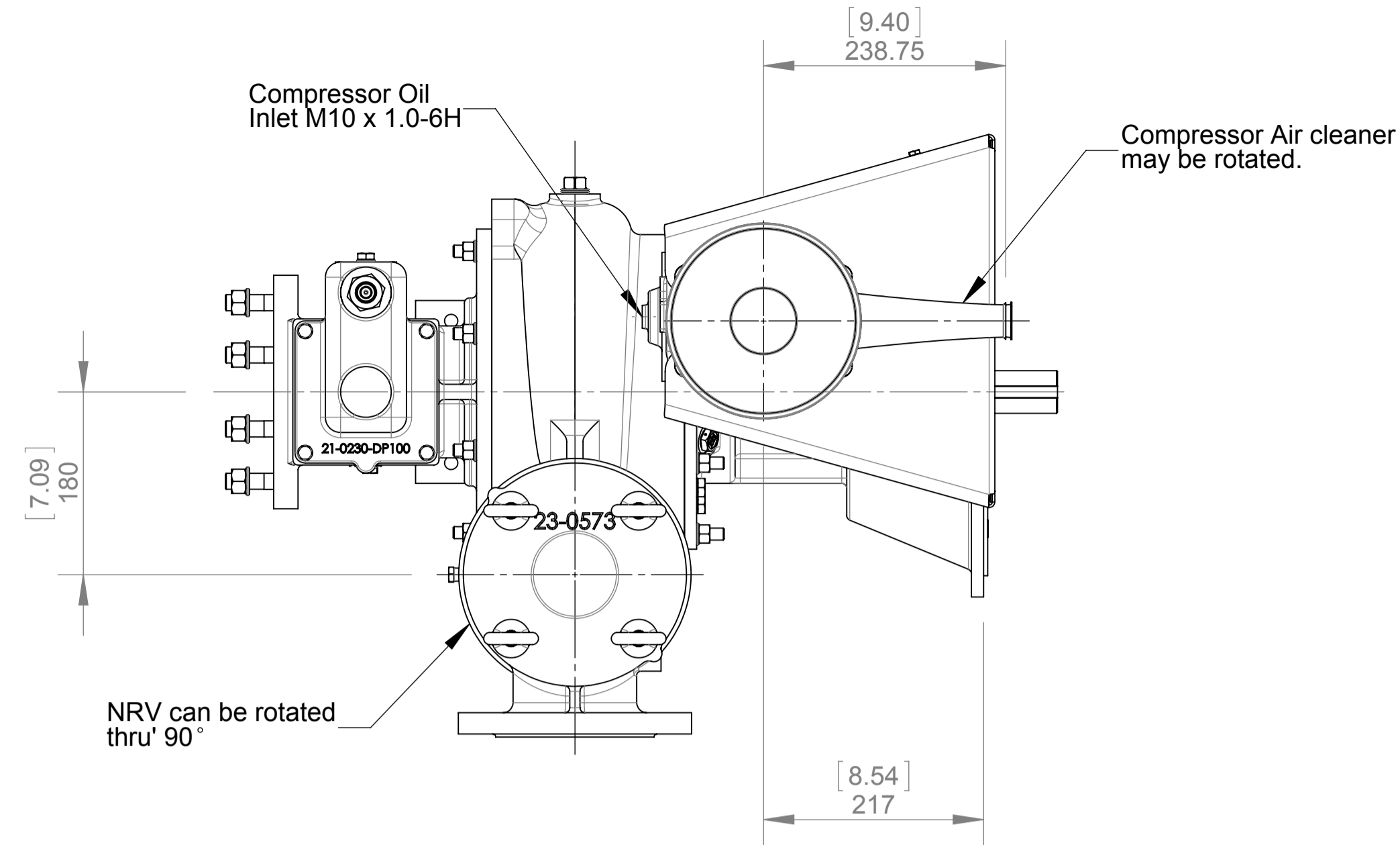


Notes:  
Dimensions in MM and INCHES, with MM below or preceding INCHES.

Suction and Delivery flanged 4" ANSI Class 150

|          | Size | P.C.D        | QTY x Fitting     |
|----------|------|--------------|-------------------|
| Suction  | 4"   | 190.5 (7.5") | 8 x 5/8" UNC Stud |
| Delivery | 4"   | 190.5 (7.5") | 8 x $\phi$ 19     |



**godwin**   
a xylem brand

**Xylem Dewatering Solutions**  
Quenington, Cirencester  
Gloucestershire  
GL7 5BX, UK.

Tel: +44 (0)1285 750271  
Fax: +44 (0)1285 750352

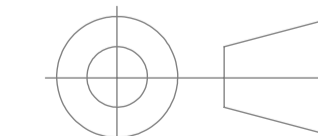
© 2012

UNLESS OTHERWISE SPECIFIED:  
Dimensions in millimetres  
Surface finish in microns

| TOLERANCES        |   |
|-------------------|---|
| MACHINING         | above 500 $\pm$ 0.75<br>50 to 500 $\pm$ 0.4<br>0 to 50 $\pm$ 0.25<br>1 dec. pl. $\pm$ 0.1<br>Angular $\pm$ 0°15'    |
| FABRICATION       | above 1000 $\pm$ 5.0<br>500 to 1000 $\pm$ 3.0<br>125 to 500 $\pm$ 1.5<br>0 to 125 $\pm$ 0.75<br>Angular $\pm$ 0°30' |
| FLATNESS          | above 1000 $\pm$ 3.0<br>250 to 1000 $\pm$ 2.0<br>0 to 250 $\pm$ 1.0   |
| GA's & ASSEMBLIES | above 1000 $\pm$ 5<br>up to 1000 $\pm$ 3  |

TITLE: **NC100 BARESHAFT DRI-PRIME**  
C.I.CONST. FLG 4 X 4 ANSI 150

IF IN DOUBT - ASK  
DO NOT SCALE DRAWING



THIRD ANGLE PROJECTION  
TPS TO BS 8888:2008

|          | NAME | DATE       |
|----------|------|------------|
| DRAWN    | JCK  | 11/01/2012 |
| APP'VD   |      |            |
| RELEASED | JCK  | 24/09/2012 |

PART NO. **NC100-BS-002**

MATERIAL:

DWG NO. **NC100-BS-002**

WEIGHT: kgs SCALE: 1:5 SHEET 1 of 1

ISSUE **2**

**A1**

| ISSUE | DESCRIPTION                                  | ECO No.   | BY  | DATE       |
|-------|--|-----------|-----|------------|
| 2     | CN001715 - NRV build was V004-22 now V004-08 | ECO12-050 | JCK | 24/09/2012 |
| 1     |  |           |     |            |