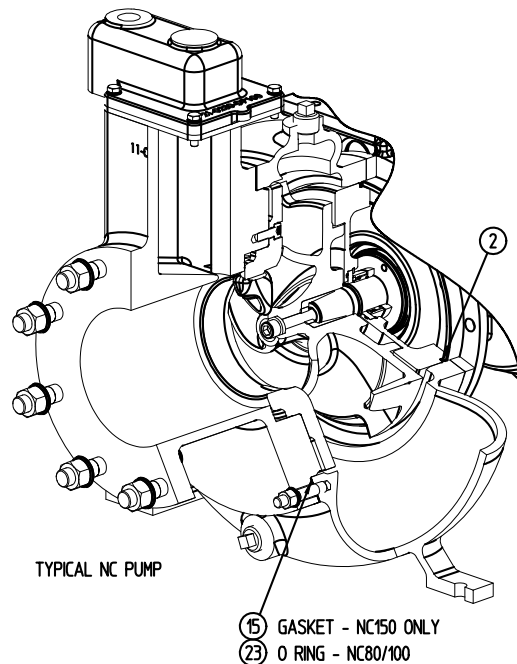
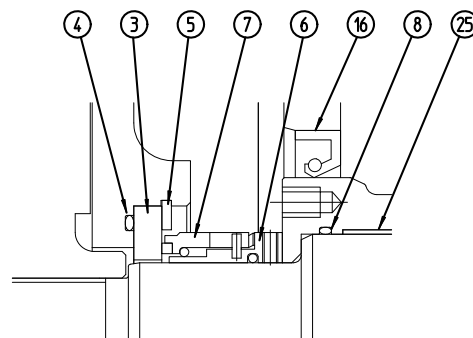
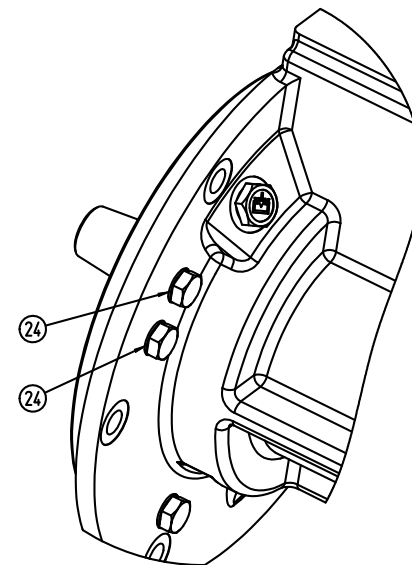


CD150M/NC ELECTRIC MOTOR DRIVEN BEARING BRACKET



TYPICAL NC PUMP

- 15 GASKET - NC150 ONLY
- 23 O RING - NC80/100



MECHANICAL SEAL ASSEMBLY
COMMON TO CD150M & NC PUMPS

SEAL KIT : SK20

ITEMS NOT SHOWN :

1. ITEMS 19 & 22 ARE LIP SEAL SLEEVES FOR SHAFT REPAIR.
2. ITEM 20 SEAL BONDED RUBBER FOR MECH SEAL OIL CHAMBER DRAIN PLUG

PARTS CONTAINED IN SEAL KIT ARE NOT RETURNABLE.

WHEN ORDERING INDIVIDUAL SPARE PUMP PARTS, PLEASE DO NOT USE THE NUMBERS ON THIS SHEET.

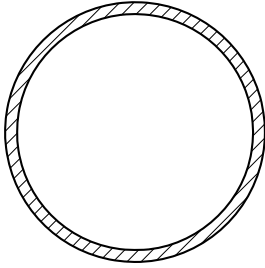
THESE NUMBERS ARE FOR SEAL KIT REFERENCE ONLY - PLEASE REFER TO THE PARTS BREAKDOWN FOR THE UNIT.

PLEASE BE AWARE THAT ALL LARGE DIAMETER GASKETS/SHIMS ARE ALSO CONTAINED AT THE BOTTOM OF THIS PACKAGING BOX.

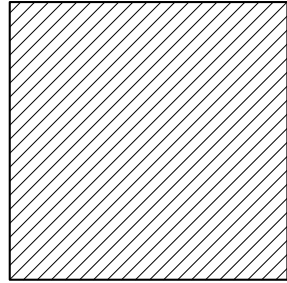
25	6	41-0241-6112	TOLERANCE RING
24	6	43-0763-9912	SEAL BONDED RUBBER
23	1	38-1312-4112	O RING
22	1	38-1767-6112	LIP SEAL SLEEVE
21	3	38-0809-4112	LIP SEAL
20	1	43-0733-9912	SEAL BONDED RUBBER
19	1	38-1751-6112	LIP SEAL SLEEVE
16	1	38-1033-4112	LIP SEAL
15	1	38-1034-5443	GASKET
8	1	38-1036-4112	O RING
7	1	38-1446-9912	SEAL FACE
6	1	38-1445-9912	MECHANICAL SEAL
5	1	41-0586-9911	CIRCLIP
4	1	38-0700-4112	O RING
3	1	38-0620-9913	SEAL SEAT
2	1	38-1004-4112	O RING
Pos	Qty	PartNo	Description SK20

<p>ITEM 25 ADDED</p> <p>godwin Services Ltd. Quenington Cirencester Gloucestershire GL7 5BX, UK Tel: +44 (0) 1295 750271 Fax: +44 (0) 1295 750562 www.godwinpumps.co.uk</p>	<p>TOLERANCES UNLESS OTHERWISE STATED</p> <table border="1"> <thead> <tr> <th>MACHINING</th> <th>FABRICATION</th> </tr> </thead> <tbody> <tr> <td>Above 500 + 0.25</td> <td>Above 1000 + 0.50</td> </tr> <tr> <td>50 to 500 + 0.4</td> <td>500 to 1000 + 0.50</td> </tr> <tr> <td>0 to 50 + 0.25</td> <td>125 to 500 + 0.15</td> </tr> <tr> <td>1 (inc. piece) + 0.1</td> <td>0 to 125 + 0.25</td> </tr> <tr> <td>Regular + 0.15</td> <td>Angular + 0.25</td> </tr> </tbody> </table> <p>DATE & APPROVALS</p> <table border="1"> <thead> <tr> <th>DATE</th> <th>APPROVALS</th> </tr> </thead> <tbody> <tr> <td>Above 500 + 0.25</td> <td>Above 1000 + 0.30</td> </tr> <tr> <td>50 to 500 + 0.4</td> <td>250 to 1000 + 0.25</td> </tr> <tr> <td></td> <td>1 to 250 + 0.15</td> </tr> </tbody> </table>	MACHINING	FABRICATION	Above 500 + 0.25	Above 1000 + 0.50	50 to 500 + 0.4	500 to 1000 + 0.50	0 to 50 + 0.25	125 to 500 + 0.15	1 (inc. piece) + 0.1	0 to 125 + 0.25	Regular + 0.15	Angular + 0.25	DATE	APPROVALS	Above 500 + 0.25	Above 1000 + 0.30	50 to 500 + 0.4	250 to 1000 + 0.25		1 to 250 + 0.15	<p>IF IN DOUBT - ASK DO NOT SCALE</p> <p>THIRD ANGLE PROJECTION TPS TO BS 8888:2013 DIMENSIONS: mm SURFACE FINISH: microns</p>	<p>CREATED BY Osborn, Stewart - Xylem</p> <p>CREATED ON Wed Oct 21 15</p> <p>PROOFED BY Osborn, Stewart - Xylem</p> <p>PROOFED ON Wed Oct 21 15</p>	<p>DRG NO. SK20.MI</p> <p>TITLE SEAL KIT</p> <p>NC80/100/150 ENG/ELEC SETS</p> <p>Proprietary and Confidential</p>
	MACHINING	FABRICATION																						
Above 500 + 0.25	Above 1000 + 0.50																							
50 to 500 + 0.4	500 to 1000 + 0.50																							
0 to 50 + 0.25	125 to 500 + 0.15																							
1 (inc. piece) + 0.1	0 to 125 + 0.25																							
Regular + 0.15	Angular + 0.25																							
DATE	APPROVALS																							
Above 500 + 0.25	Above 1000 + 0.30																							
50 to 500 + 0.4	250 to 1000 + 0.25																							
	1 to 250 + 0.15																							
			<p>REV 4.1</p>																					

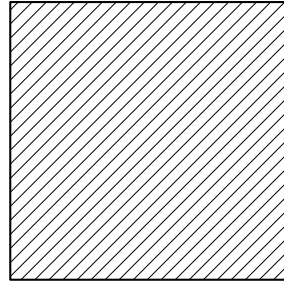
Item 4
38-0700-4112



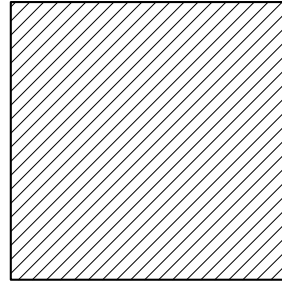
Item 6
38-1445-9912



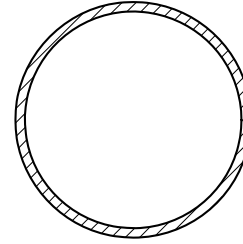
Item 7
38-1446-9912



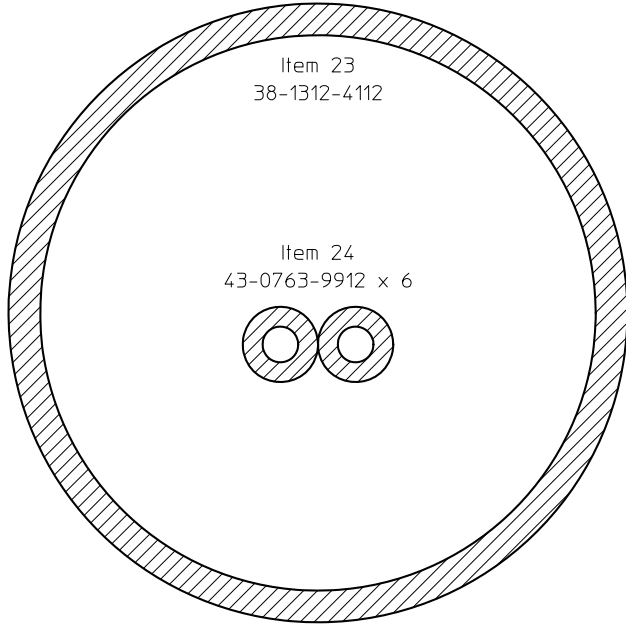
Item 3
38-0620-9913



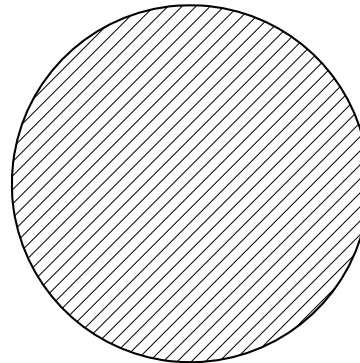
Item 8
38-1036-4112



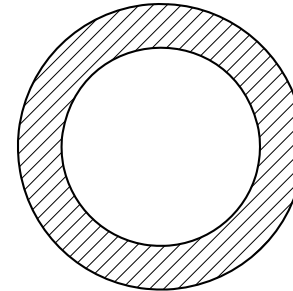
Item 23
38-1312-4112



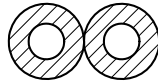
Item 19
38-1751-6112



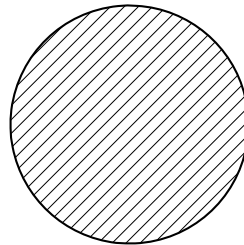
Item 21
38-0809-4112 x 3



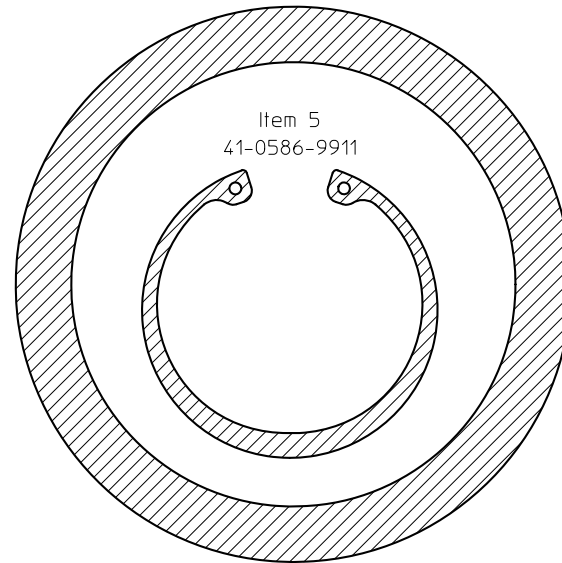
Item 24
43-0763-9912 x 6



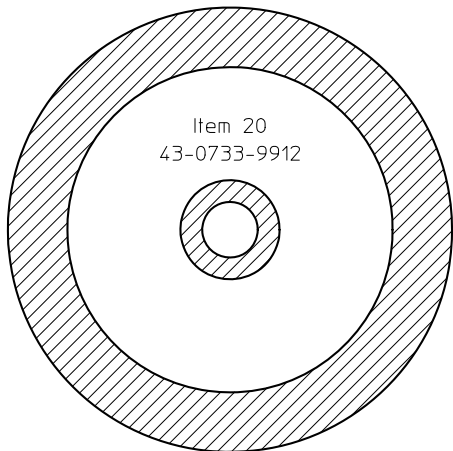
Item 22
38-1767-6112



Item 2
38-1004-4112



Item 16
38-1033-4112



Item 20
43-0733-9912

Item 25
41-0241-6112

